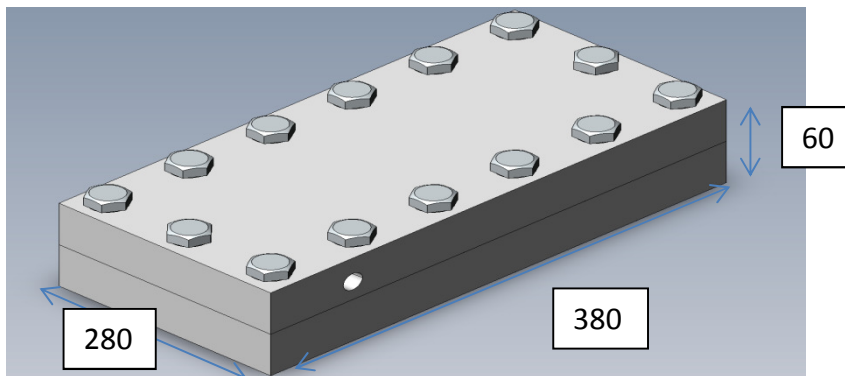


Datasheet: FSTC-050 module

The FSTC-050 module is designed to hold one A4 size flat sheet membrane for use in pervaporation or vapour permeation applications.

Standard Membranes:	PDMS, POMS or PEBA (see membrane data sheets)
Pressure housing:	SS316
Membrane area:	0,054 m ²
Flow area:	0.8 x 19,6 cm
Feed, Retentate conn.:	1/2" female NPT
Permeate conn.:	2x 1/2" female NPT
Sealing of membranes:	O-ring
O-rings:	345,19 x 3,53 mm, viton (standard) 304,39 x 3,53 mm, viton (standard)
Dimensions:	280 x 380 mm x 60 See figure



Limits of Operation

Max. process pressure:	10 bar
Max. process temperature:	150° Celsius, depending on membrane type and o-rings
Vacuum:	1 mbar
Feed pump capacity:	Dependent on membrane type.
Cleaning:	General cleaning products for SS316. Further depending on membrane and sealing.