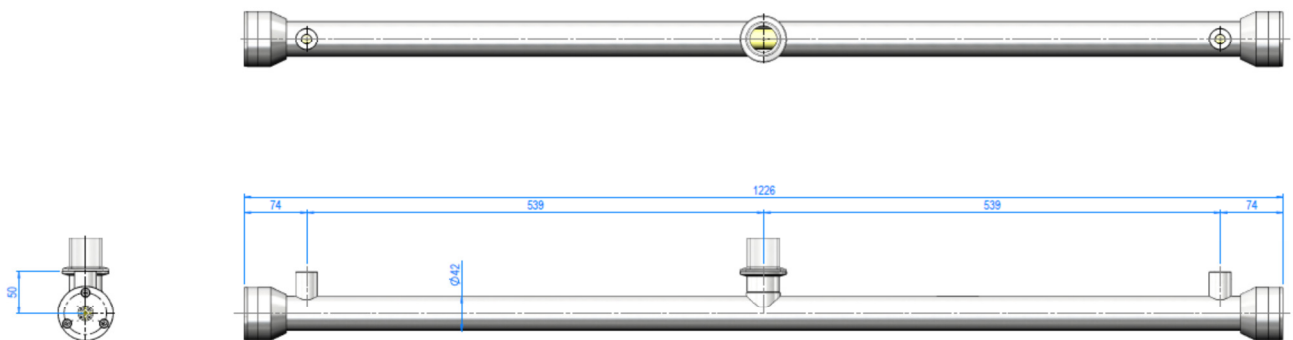


Datasheet module PVM-120-1

The PVM-120-1 module is designed to hold one 120 cm 4-tube ceramic membrane assembly for use in pervaporation or vapour permeation applications.

Standard membranes:	Hybrid Silica, (Optimised) Silica, PDMS, PEBA or POMS
Housing material:	SS316L
Membrane area:	0,1 m ²
Feed, Retentate conn.:	1/2" FNPT
Permeate conn.:	NW40 KF
Pressure Gauge conn.:	2x 1/2" FNPT
Sealing of membrane tubes:	O-ring (EPDM-PC, VITON, FFKM) or spring seal (Teflon-Hastelloy)
Sealing of flange:	Gasket or O-ring (EPDM-PC, VITON, FFKM, Teflon)
Dimensions:	See figure



Limits of Operation

Max. process pressure:	10 bar
Max. process temperature:	Depending on membrane and sealing type
Vacuum:	1 mbar
Feed pump capacity:	up to 2000 L/hr
Cleaning:	General cleaning products for SS316. Further depending on membrane and sealing.