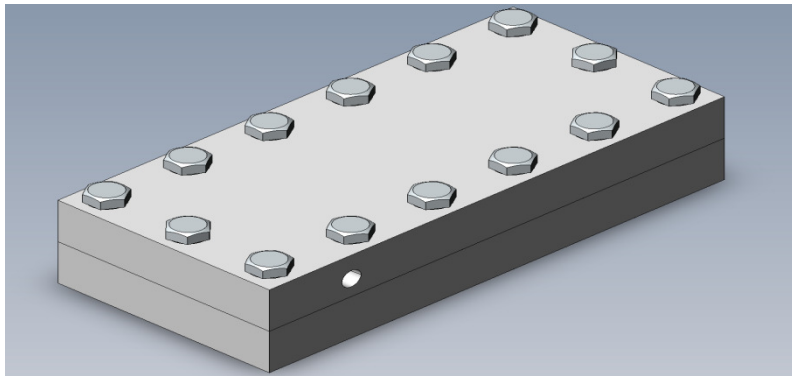


Datasheet: FSTC-049 module

The FSTC-049 module is designed to hold one flat sheet membrane for use in pervaporation or vapour permeation applications.

Standard Membranes:	PDMS, POMS or PEBA (see membrane data sheets)
Pressure housing:	SS316
Membrane area:	0,0089 m ²
Flow area:	0,8 x 5 cm
Feed, Retentate conn.:	1/4" female NPT
Permeate conn.:	1/2" female NPT
Sealing of membranes:	O-ring
O-rings:	177,4 x 3,53 mm, viton (standard) 152 x 3,53 mm, viton (standard)
Dimensions:	280 x 130 x 60 mm



Limits of Operation

Max. process pressure:	10 bar
Max. process temperature:	150° Celsius, depending on membrane type and o-rings
Vacuum:	1 mbar
Feed pump capacity:	Dependent on membrane type.
Cleaning:	General cleaning products for SS316. Further depending on membrane and sealing.