

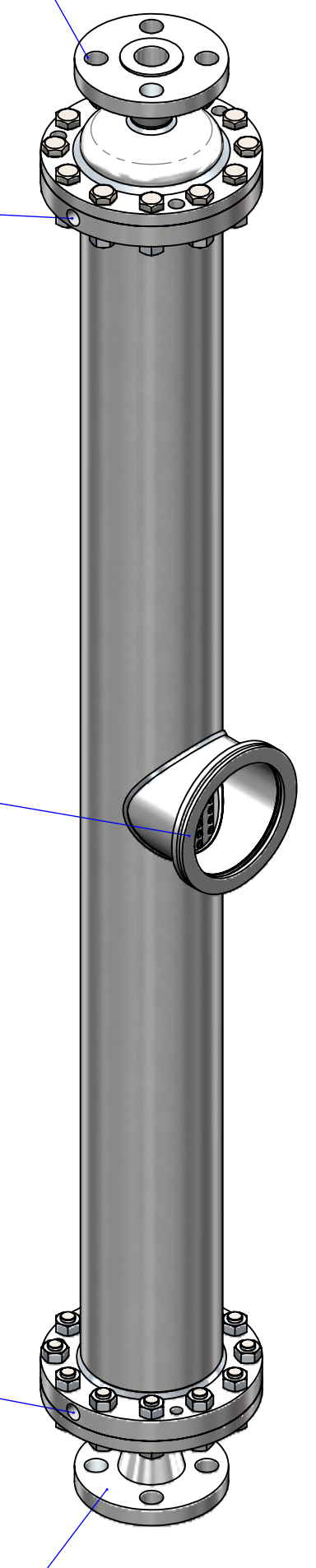
Welding neck flange RF300 Lbs ASTMA 182-ANSI B 16.5  
1" (ø33,4) Sch 10 S (bewerkt)

Drain 3/8"

ISO-K Flange Long DN 100 (ø108) L=100

Drain 3/8"

Welding neck flange RF300 Lbs ASTMA 182-ANSI B 16.5  
1" (ø33,4) Sch 10 S (bewerkt)



Pos.	Number	PartNo	Description 1	Description 2	Remark
1	6	101852	Hexagon bolt ISO4014	M6x12	-
2	24	101855	Hexagon nut DIN934	M12	-
3	24	101856	Hexagon bolt ISO4014	M12x45	-
4	14	101960	Seal	Rod ø25h9	-
5	7	200110	Membrane 4 hole Ø25 Hybrid Silica 120 cm (standard)		-
6	1	180011	HOUSING 7x4 HOLE MODULE ø25 L=1200	PVM094S001-2	-
7	2	180012	HEADER 7x4 HOLE MODULE ø25	PVM094S002-2	-
8	2	180013	PTFE GASKET 7x4 HOLE MODULE ø25	PVM094M006-2	-
9	2	180014	LOCKINGPLATE MEMBRANE 7x4 HOLE MOD. ø25	PVM094M007-2	-
10	2	180015	LOCKINGPLATE VARISEAL 7x4 HOLE MOD. ø25	PVM094M008-2	-
11	2	180017	SEALPLATE MEMBRANE 7x4 HOLE MOD. ø25	PVM094M009-2	-

Dimensions without tolerances according to ISO 2768 middle	Projection:	Surface texture according to ISO 1302	Material: Weight (kg): Surface treatment:	Rev. Drawn Date Description
Geometrical tolerance according to ISO 1101				
Drawing name: <b>ASSEMBLY 7x4 HOLE MODULE ø25 L=1200</b>			Drawn: <b>G.J.VOORTMAN</b>	Scale: <b>1:5</b>
Project: <b>DOCUMENTATION</b>			Date: <b>3-2-2014</b>	Format: <b>A2</b>
Drawing no.: <b>PVM094D000-3</b>			Checked by: <b>GJV</b>	Sheet: <b>1 of 1</b>
Article no.: <b>410002</b>			<b>The Netherlands</b> Tel: +31.548530360 www.pervatech.com	